

## INDUSTRIAL DIESEL ENGINE

### Kubota Super Mini Series

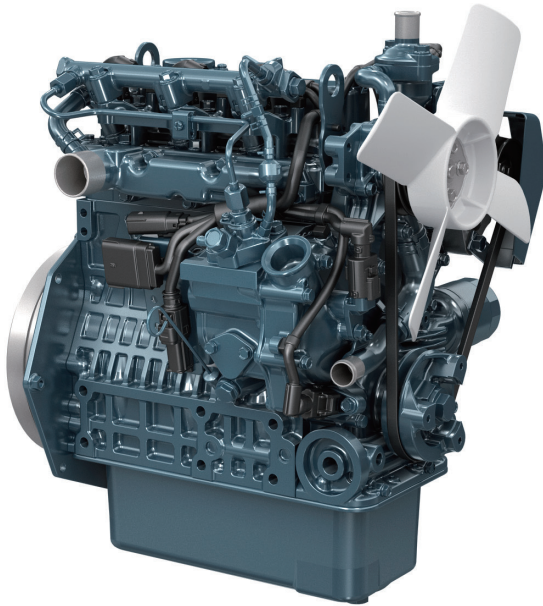
# D902-K-E4



China's national  
smoke regulations  
Category III

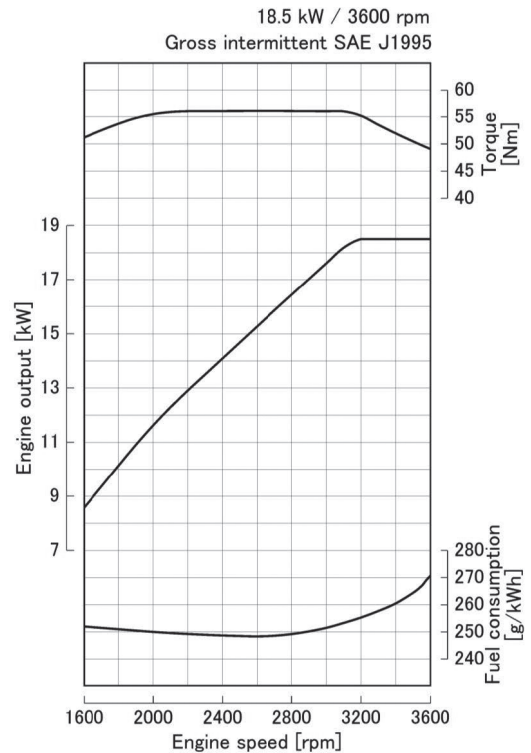
#### Rated Power

**18.5 kW @ 3600 rpm**



Photograph may show non-standard equipment.

#### Performance Curves



#### Features and Benefits

##### Suppress black smoke

The D902-K-E4 engine is capable of complying with the latest emission standards (output of below 19kW) around the world, including the most stringent of China's national smoke regulations, Category III. The amount of black smoke is reduced to an imperceptible level at start, acceleration, and a rapid increase in workload.

##### Low fuel consumption

Fuel efficiency improved by about 5% compared to conventional model.

##### Acquisition of engine operating data, improvement in drivability and serviceability

The D902-K-E4 engine is capable of communicating via CAN, thus allowing engine speed and torque to be controlled using signals from vehicles. Due to superior torque characteristics, lower rotation due to a rapid increase in workload is suppressed, enhancing drivability and work efficiency.

##### Compatibility

The D902-K-E4 engine uses the same external dimensions, locations of ports and an engine mount, and PTO as its current model, thus facilitating easy model upgrades.

# D902-K-E4

## Engine Specifications

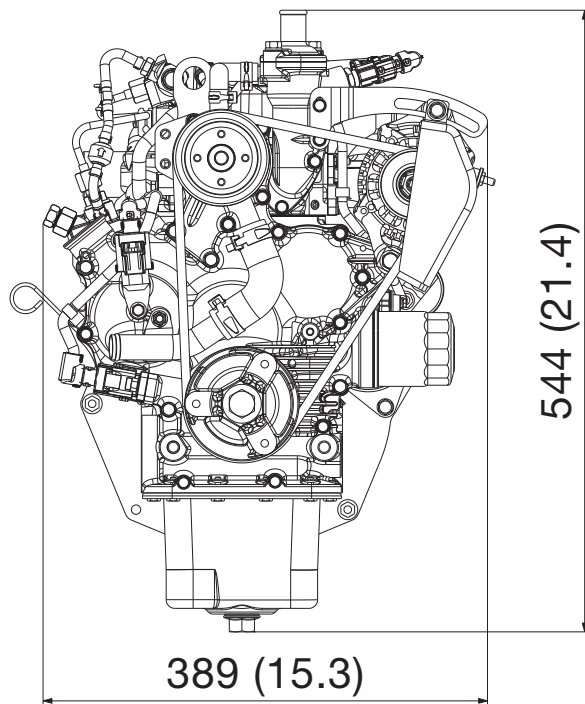
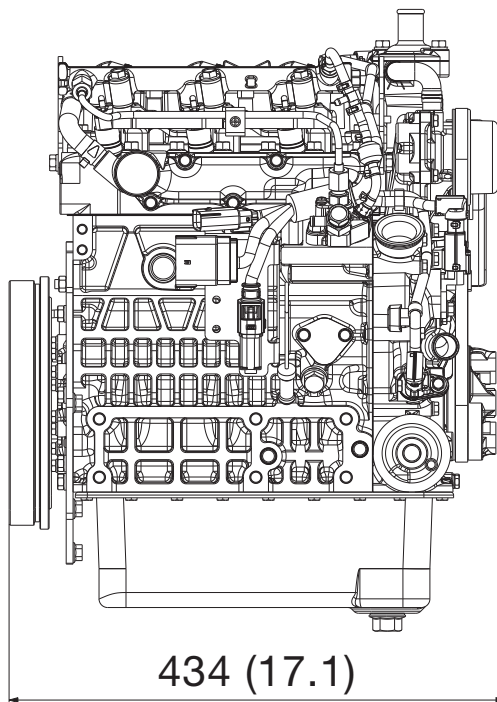
<b>Engine model</b>		D902-K-E4
<b>Emission regulation</b>		EPA/CARB Tier4 + EU Stage V + China Non-Road IV
<b>Type</b>		Vertical, water cooled 4-cycle IDI diesel engine
<b>Cylinders</b>		3
<b>Bore and Stroke</b>	mm (in)	72.0 × 73.6 (2.83 × 2.90)
<b>Displacement</b>	L (cu.in)	0.898 (54.80)
<b>Aspiration</b>		Naturally Aspirated
<b>Aftertreatment</b>		-
<b>Rated output / speed</b> *1	kW (HP) / rpm	18.5 (24.8) / 3600
<b>Maximum torque / speed</b> *1	Nm (lb-ft) / rpm	56.1 (41.4) / 2600
<b>Combustion and fuel system</b>		TVCR
<b>EGR</b>		-
<b>Length x Width x Height</b> *2 (without aftertreatment unit)	mm (in)	434 × 389 × 544 (17.1 × 15.3 × 21.4)
<b>Dry weight</b> *2	kg (lb)	72 (159)

Specifications are subject to change without prior notice.  
Dimensions and dry weight are according to Kubota's standard specification.  
Dimensions and weight depend on completed specifications.

\*1: Gross intermittent SAE J1995

\*2: Exclude cooling fan

## Dimensions



## Kubota Corporation

2-47, Shikitsu Higashi 1-chome Naniwa-ku, Osaka, 556-8601 Japan

<https://engine.kubota.com/en/>

ASP-D902-K-E42304-R4-STD-208098