

INDUSTRIAL DIESEL ENGINE

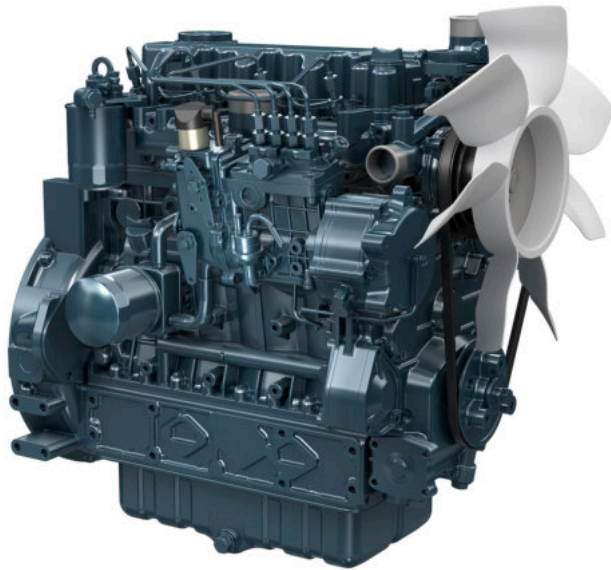
Kubota V3 Series (4-Cylinder)

V3600-E3B



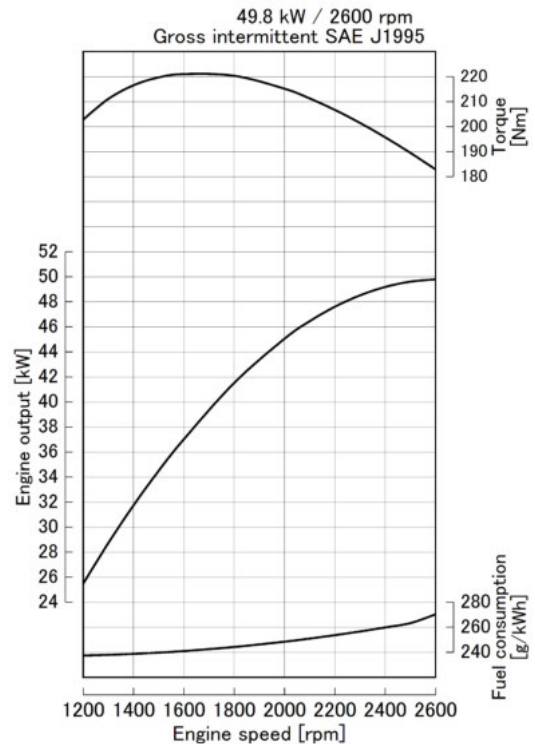
Rated Power

49.8 kW @ 2600 rpm



Photograph may show non-standard equipment.

Performance Curves



Features and Benefits

Emissions

The Kubota V3600 naturally aspirated engine complies with EPA / CARB interim Tier 4 + EU Stage IIIA emissions.

Durable Power

The Kubota V3600 engine is a high power engine with the same footprint as the V3300 engine, as well as larger displacement.

Clean and Quiet Power

Kubota's original E-TVCS (Three Vortex Combustion System) has been improved. The airflow, combustion chamber, and piston recess have been optimized to provide lower particulate matter (PM) levels.

Options

Fan positions are available at two heights to enable various equipment configurations.

For Earth, For Life
Kubota

V3600-E3B

Engine Specifications

Engine model		V3600-E3B
Emission regulation		EPA/CARB interim Tier 4 level + EU Stage IIIA level
Type		Vertical, water cooled 4-cycle diesel engine
Cylinders		4
Bore and stroke	mm (in)	98.0 x 120.0 (3.86 x 4.724)
Displacement	L (cu.in)	3.620 (220.9)
Aspiration		Naturally aspirated
Aftertreatment		-
Rated output / speed *1	kW (HP) / rpm	49.8 (66.8) / 2600
Maximum torque / speed *1	Nm (lb-ft) / rpm	221.0 (163.0) / 1600
Combustion system		Indirect injection
Fuel system		In-line pump
Length x Width x Height *2 (without aftertreatment unit)	mm (in)	699 x 536 x 741 (27.5 x 21.1 x 29.2)
Length x Width x Height *3 (with aftertreatment unit)	mm (in)	-
Dry weight *3	kg (lbs)	252 (556)

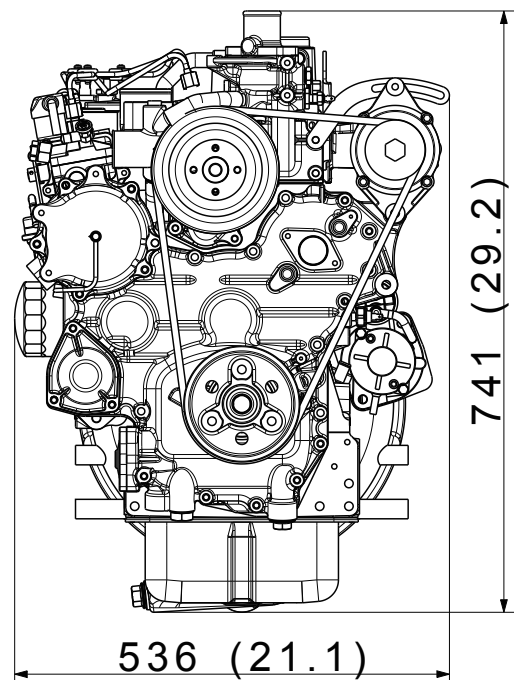
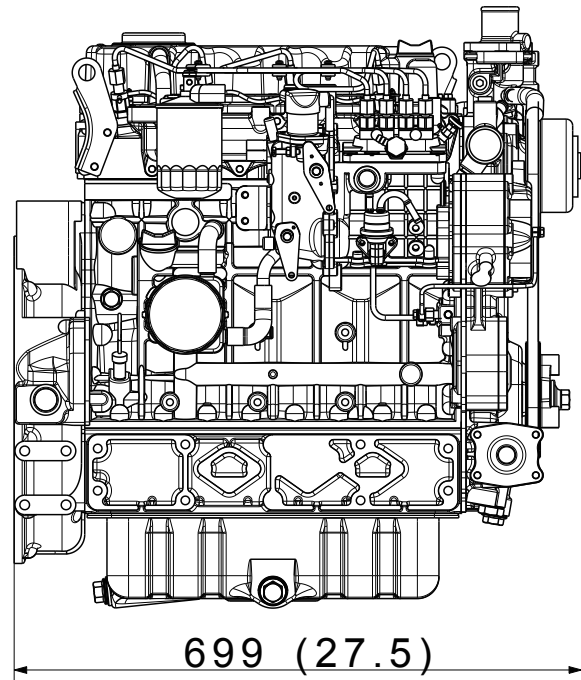
Specifications are subject to change without notice.
Dimensions and dry weight are according to Kubota's standard specification.
Dimensions and weight depend on completed specifications.

*1: SAE J1995 gross intermittent

*2: Exclude cooling fan and exclude aftertreatment unit

*3: Exclude cooling fan and include aftertreatment unit on engine

Dimensions



Kubota Corporation

2-47, Shikitsu Higashi 1-chome Naniwa-ku, Osaka, 556-8601 Japan

<https://engine.kubota.com/en/>

ASP-V3600-E3B1808-R1-I