

INDUSTRIAL DIESEL ENGINE

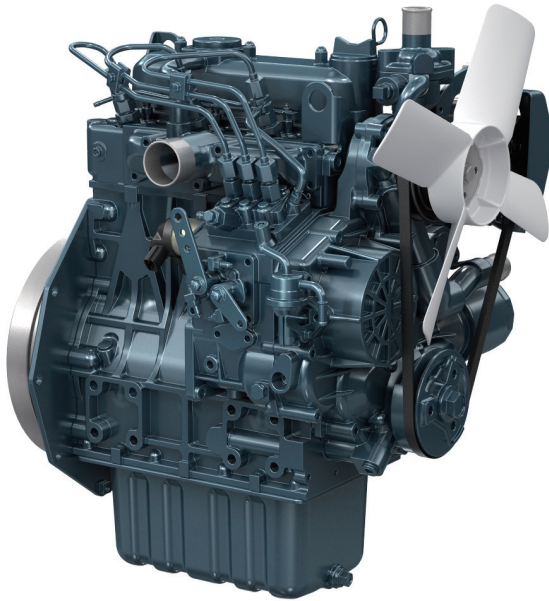
Kubota 05 Series (3-Cylinder)

D1005-E4B (3000 rpm)



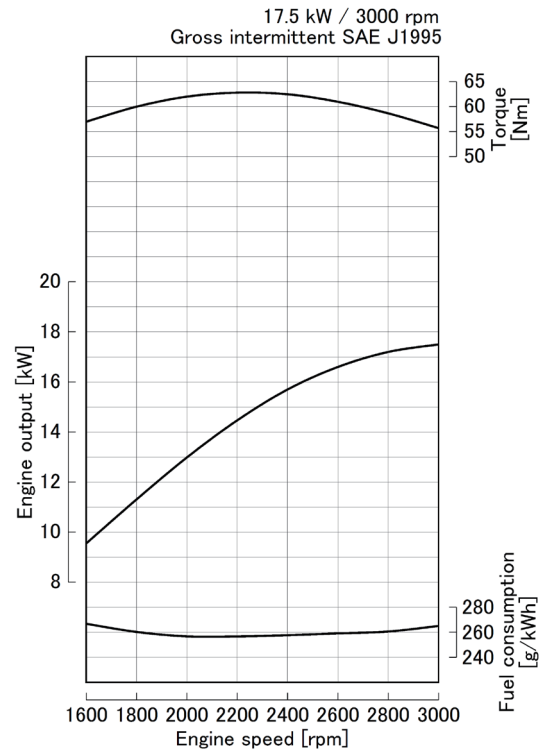
Rated Power

17.5 kW @ 3000 rpm



Photograph may show non-standard equipment.

Performance Curves



Features and Benefits

Emissions

The D1005 engine complies with EPA / CARB Tier 4 emissions regulations.

Durable Power

The Kubota 05 Series is an established leader in its horsepower range, selected as the power source of choice by various industrial equipment manufacturers. The D1005 offers a seamless transition from E3 to E4 by maintaining the same footprint and hardware mounting points.

Clean and Quiet Power

Kubota's original E-TVCS (Three Vortex Combustion System) has been improved. The airflow, combustion chamber, and piston recess have been optimized to provide low particulate matter (PM) levels, matching the stringent level of emission regulation.

Options

A variety of engine accessory options are also available.

For Earth, For Life
Kubota

D1005-E4B (3000 rpm)

Engine Specifications

Engine model		D1005-E4B (3000 rpm)
Emission regulation		EPA/CARB Tier 4 (NRTC/NTE test mode) + EU Stage V
Type		Vertical, water cooled 4-cycle diesel engine
Cylinders		3
Bore and stroke	mm (in)	76.0 x 73.6 (2.99 x 2.90)
Displacement	L (cu.in)	1.001 (61.08)
Aspiration		Naturally aspirated
Aftertreatment		-
Rated output / speed *1	kW (HP) / rpm	17.5 (23.5) / 3000
Maximum torque / speed *1	Nm (lb-ft) / rpm	62.8 (46.3) / 2200
Combustion system		Indirect injection
Fuel system		In-line pump
Length x Width x Height *2 (without aftertreatment unit)	mm (in)	480 x 396 x 605 (18.9 x 15.6 x 23.8)
Length x Width x Height *3 (with aftertreatment unit)	mm (in)	-
Dry weight *3	kg (lbs)	93 (205)

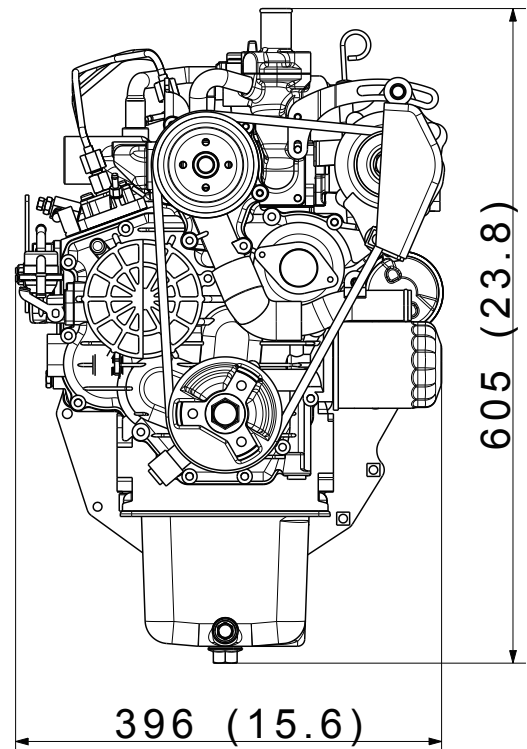
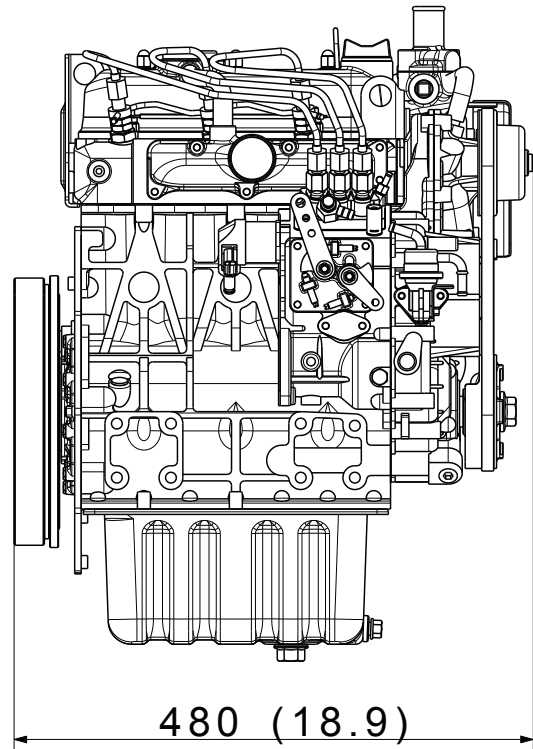
Specifications are subject to change without notice.
Dimensions and dry weight are according to Kubota's standard specification.
Dimensions and weight depend on completed specifications.

*1: SAE J1995 gross intermittent

*2: Exclude cooling fan and exclude aftertreatment unit

*3: Exclude cooling fan and include aftertreatment unit on engine

Dimensions



Kubota Corporation

2-47, Shikitsu Higashi 1-chome Naniwa-ku, Osaka, 556-8601 Japan

<https://engine.kubota.com/en/>

ASPD1005-E4B301902-R1-I-178040