

INDUSTRIAL DIESEL ENGINE

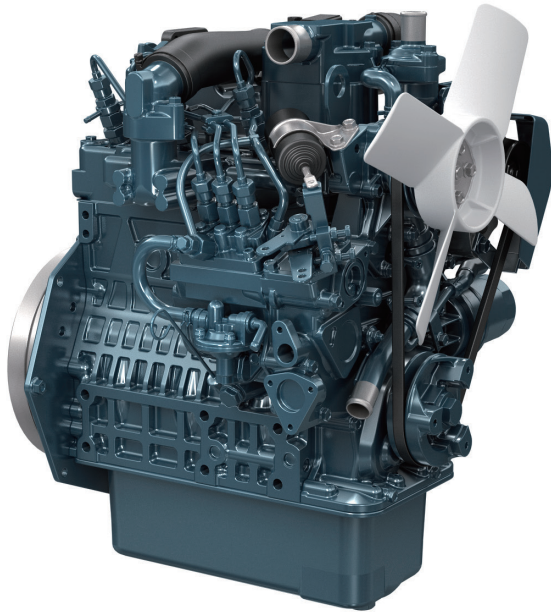
Kubota Super Mini Series

D902-TE4



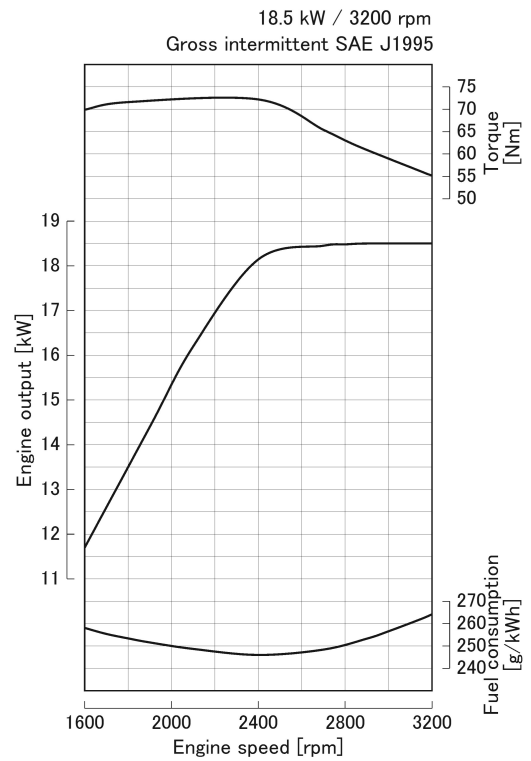
Rated Power

18.5 kW @ 3200 rpm



Photograph may show non-standard equipment.

Performance Curves



Features and Benefits

Emissions

D902-TE4 turbocharged engines comply with EPA/CARB Tier 4 + EU Stage V expanding the Kubota Super Mini Series engines lineup.

High output density

By the high output density, the D902-TE4 turbocharged engine is lightweight and compact, yet has excellent high altitude performance, achieving low noise and low vibration.

The cooling water passages between the cylinder bores features Kubota's original casting technology as a countermeasure against the heat load caused by high power density, providing both superior endurance and reliable engine performance.

Compatibility

The D902-TE4 engine maintains compatibility with the conventional D902 engines.

D902-TE4

Engine Specifications

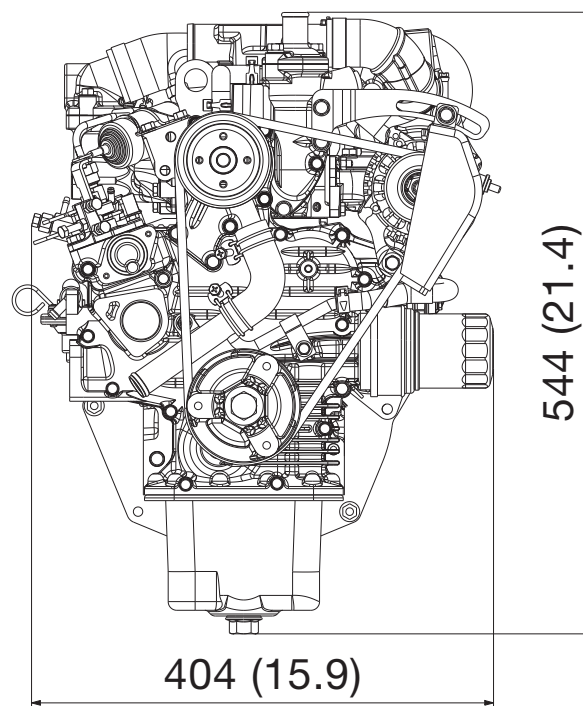
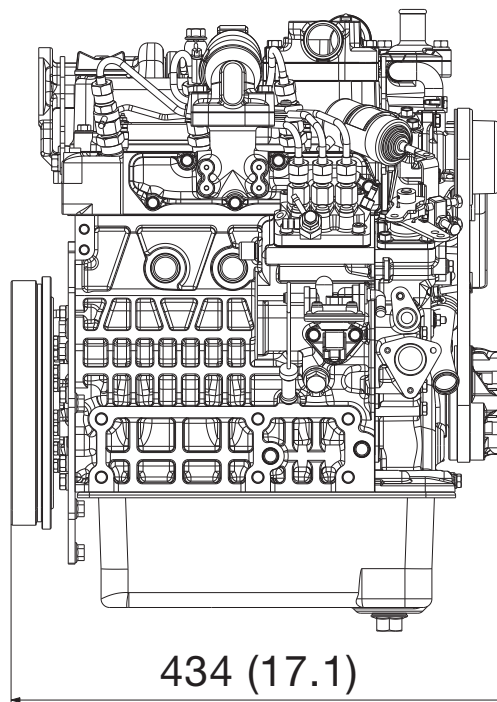
Engine model		D902-TE4
Emission regulation		EPA/CARB Tier4 + EU Stage V
Type		Vertical, water cooled 4-cycle diesel engine
Cylinders		3
Bore and Stroke	mm (in)	72.0 × 73.6 (2.83 × 2.90)
Displacement	L (cu.in)	0.898 (54.80)
Aspiration		Turbocharged
Aftertreatment		-
Rated output / speed *1	kW (HP) / rpm	18.5 (24.8) / 3200
Maximum torque / speed *1	Nm (lb-ft) / rpm	72.2 (53.3) / 2400
Combustion system		Indirect Injection
Fuel system		In-line pump
EGR		-
Length x Width x Height *2 (without aftertreatment unit)	mm (in)	434 × 404 × 544 (17.1 × 15.9 × 21.4)
Dry weight *2	kg (lb)	75 (165)

Specifications are subject to change without prior notice.
Dimensions and dry weight are according to Kubota's standard specification.
Dimensions and weight depend on completed specifications.

*1: Gross intermittent SAE J1995

*2: Excluded cooling fan

Dimensions



Kubota Corporation

2-47, Shikitsu Higashi 1-chome Naniwa-ku, Osaka, 556-8601 Japan

<https://engine.kubota.com/en/>

ASP-D902-TE42210-R1-EPSPD-218155