

## DIESEL ENGINE FOR GENERATOR

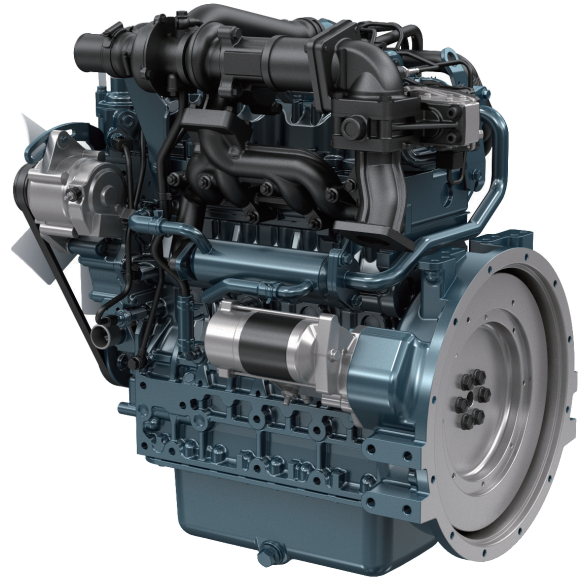
Kubota 03 Series (4-Cylinder)

# V2403-CR-TE5-BG



Stand-by Power

28.1 kW @ 1500 rpm



Photograph may show non-standard equipment.

## Features and Benefits

### Emissions Compliance

Meeting rigid emissions regulations can be a challenge for any company. Our Kubota 03 Series engines have been designed to comply with various emissions regulations, including the stringent regulations: EU Stage V. In addition, innovative and reliable aftertreatment solutions, such as Diesel Particulate Filters (DPF) unit, have been applied to it.

### Advanced DPF Technology

Diesel Particulate Filters (DPF) are essential to comply EU Stage V emission regulations. With many years of experience in DPF engines, Kubota has developed a DPF technology that enables automatic regeneration even at a low rpms, giving your product a competitive edge.

The technology has also made long service intervals possible, helping to minimize downtime and maintenance worries.

### Fuel Efficiency

With Kubota's technology and experience, Common Rail System (CRS) is optimized and realizing low fuel consumption.

For Earth, For Life

# V2403-CR-TE5-BG

## Engine Specifications

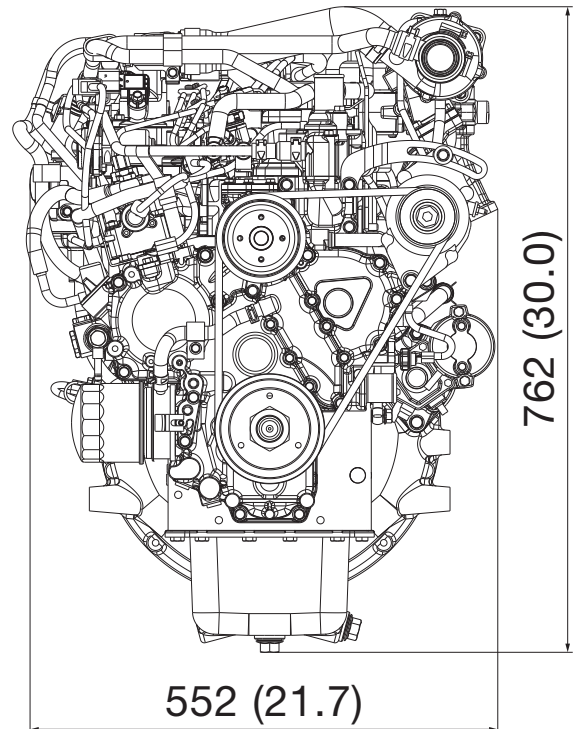
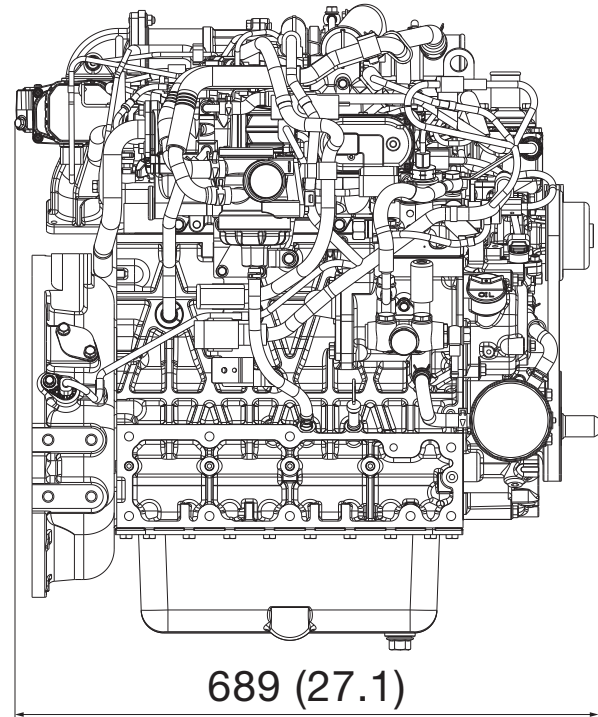
<b>Engine model</b>		V2403-CR-TE5-BG
<b>Emission regulation</b>		EU Stage V
<b>Type</b>		Vertical, water cooled 4-cycle DI diesel engine
<b>Cylinders</b>		4
<b>Bore and Stroke</b>	mm (in)	87.0 × 102.4 (3.43 × 4.031)
	L (cu.in)	2.434 (148.5)
<b>Aspiration</b>		Turbocharged
<b>Aftertreatment</b>		Diesel Oxidation Catalyst (DOC) + Diesel Particulate Filter (DPF)
<b>Net stand-by power</b> *1	kW (HP) / rpm	28.1 (37.7) / 1500
<b>Net continuous power</b> *1	kW (HP) / rpm	25.5 (34.2) / 1500
<b>Combustion system</b>		Direct Injection
<b>Fuel system</b>		Common Rail System
<b>EGR</b>		External EGR
<b>Length x Width x Height</b> *2 (without aftertreatment unit)	mm (in)	689 × 552 × 762 (27.1 × 21.7 × 30.0)
	kg (lb)	241 (531)

Specifications are subject to change without prior notice.  
Dimensions and dry weight are according to Kubota's standard specification.  
Dimensions and weight depend on completed specifications.

\*1: SAE J1349

\*2: Exclude ATU and cooling fan

## Dimensions



## Kubota Corporation

2-47, Shikitsu Higashi 1-chome Naniwa-ku, Osaka, 556-8601 Japan

<https://engine.kubota.com/en/>

ASP-V2403-CR-TE5-BG2109-R1-STD-208098