

INDUSTRIAL DIESEL ENGINE

Kubota 05 Series (3-Cylinder)

D1105-E3B (3600 rpm)



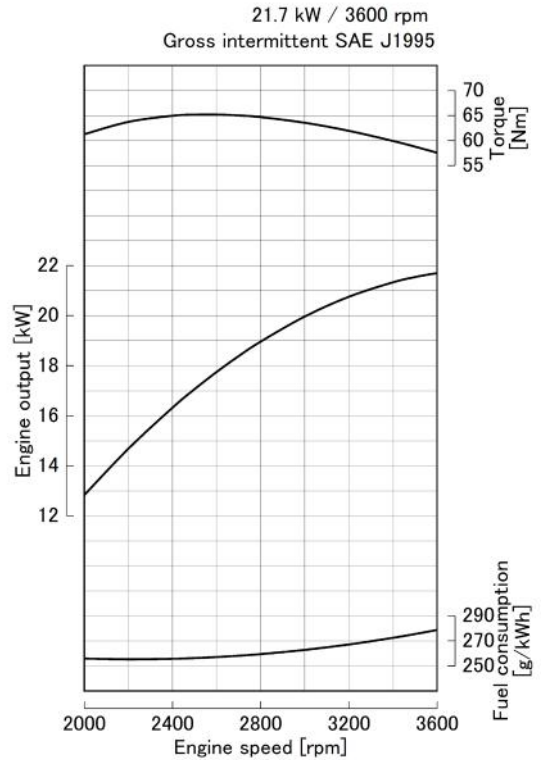
Rated Power

21.7 kW @ 3600 rpm



Photograph may show non-standard equipment.

Performance Curves



Features and Benefits

Emissions

The D1105 engine complies with EPA / CARB interim Tier 4 emissions + EU Stage IIIA emissions regulations.

Durable Power

The Kubota 05 Series is an established leader in its horsepower range, selected as the power source of choice by various industrial equipment manufacturers.

The D1105 engine offers a seamless transition from EPA Tier 2 to EPA Tier 4 by maintaining the same footprint and hardware mounting points with minimal performance changes from EPA Tier 2 engines.

Clean and Quiet Power

Kubota's original E-TVCS (Three Vortex Combustion System) has been improved. The combustion chamber and piston recess have been optimized to achieve lower particulate matter (PM) levels.

D1105-E3B (3600 rpm)

Engine Specifications

Engine model		D1105-E3B (3600 rpm)
Emission regulation		EPA/CARB interim Tier 4 level + EU Stage IIIA
Type		Vertical, water cooled 4-cycle diesel engine
Cylinders		3
Bore and stroke	mm (in)	78.0 x 78.4 (3.07 x 3.09)
Displacement	L (cu.in)	1.123 (68.53)
Aspiration		Naturally aspirated
Aftertreatment		-
Rated output / speed *1	kW (HP) / rpm	21.7 (29.1) / 3600
Maximum torque / speed *1	Nm (lb-ft) / rpm	65.2 (48.1) / 2600
Combustion system		Indirect injection
Fuel system		In-line pump
Length x Width x Height *2 (without aftertreatment unit)	mm (in)	480 x 396 x 605 (18.9 x 15.6 x 23.8)
Length x Width x Height *3 (with aftertreatment unit)	mm (in)	-
Dry weight *3	kg (lbs)	93 (205)

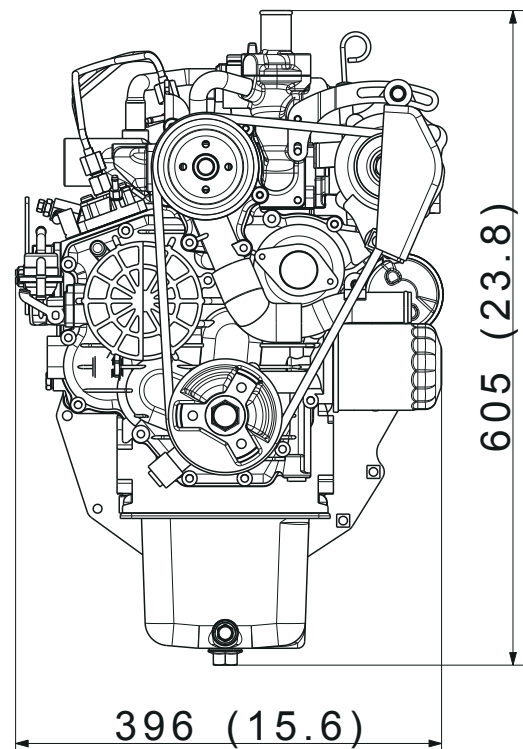
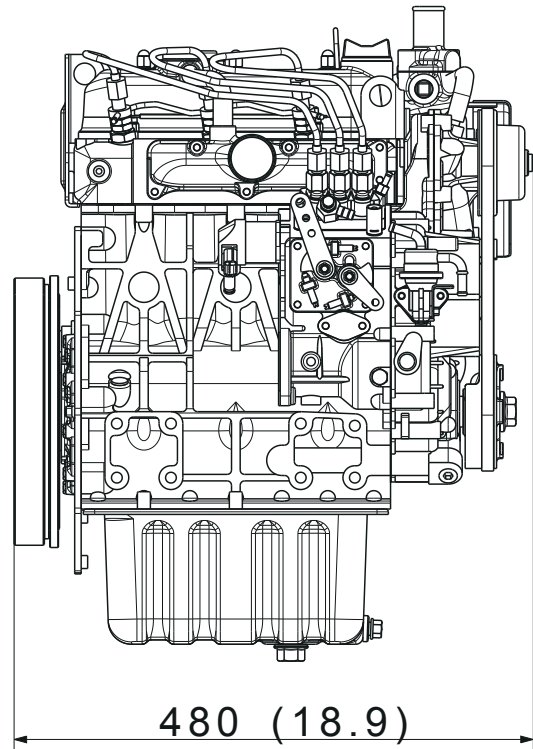
Specifications are subject to change without notice.
Dimensions and dry weight are according to Kubota's standard specification.
Dimensions and weight depend on completed specifications.

*1: SAE J1995 gross intermittent

*2: Exclude cooling fan and exclude aftertreatment unit

*3: Exclude cooling fan and include aftertreatment unit on engine

Dimensions



Kubota Corporation

2-47, Shikitsuhigashi 1-chome Naniwa-ku, Osaka, 556-8601 Japan

<https://engine.kubota.com/en/>

ASP-D1105-E3B361808-R1-I