

## DIESEL ENGINE FOR GENERATOR

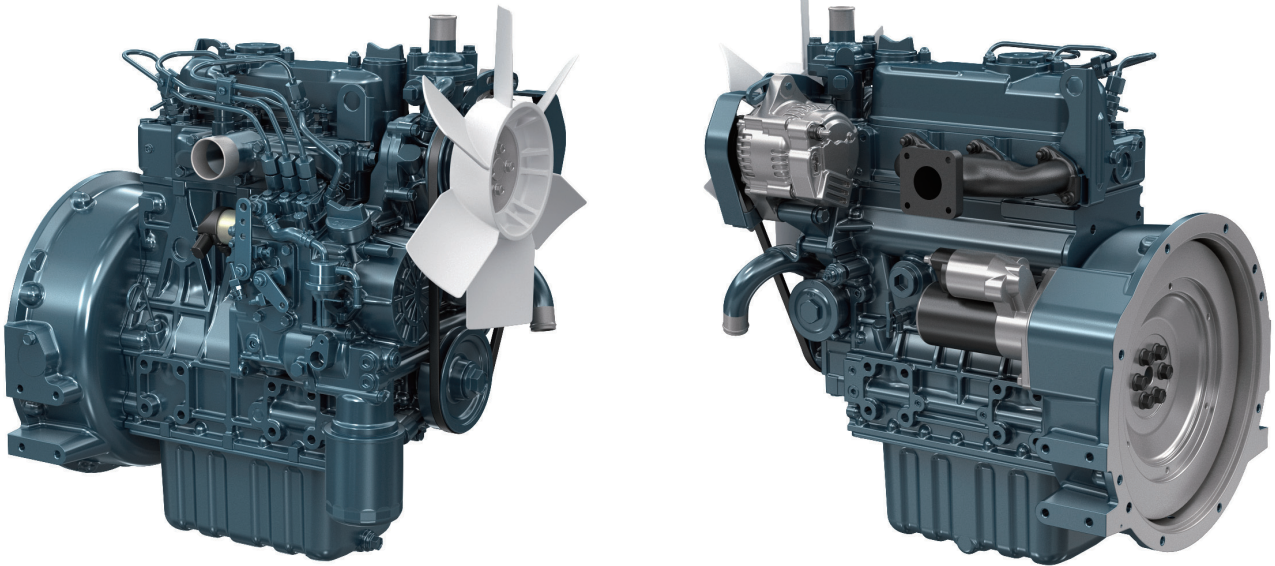
Kubota 05 Series (3-Cylinder)

# D1105-E4-BG2



Stand-by Power

9.5 kW @ 1500 rpm



Photograph may show non-standard equipment.

## Features and Benefits

### Emissions Compliance

Meeting rigid emissions regulations can be a challenge for any company. Our Kubota 05 Series engines have been designed to comply with various emissions regulations, including the stringent regulation: EU Stage V.

### Durable Power

The Kubota 05 Series is an established leader in its horsepower range, selected as the power source of choice by various industrial equipment manufacturers.

### Clean and Quiet Power

The combustion chamber of Kubota's original E-TVCS (Three Vortex Combustion System) and piston recess have been optimized to achieve lower particulate matter (PM) levels.

For Earth, For Life  
The Kubota logo, consisting of the word "Kubota" in a stylized blue font with a white outline.

# D1105-E4-BG2

## Engine Specifications

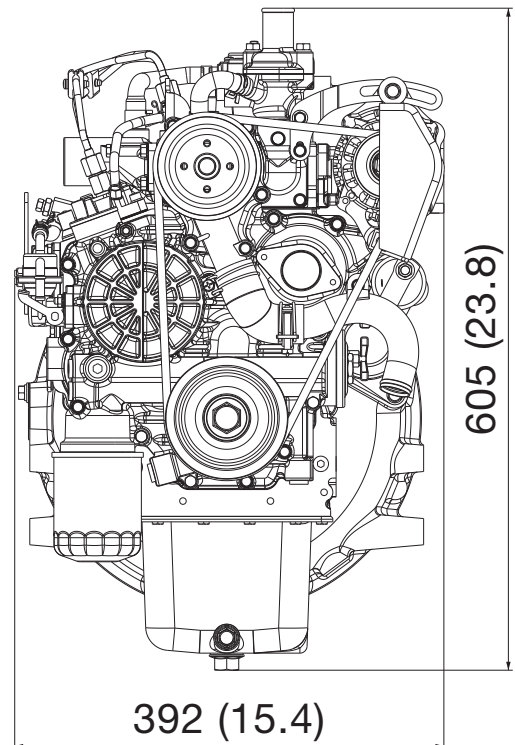
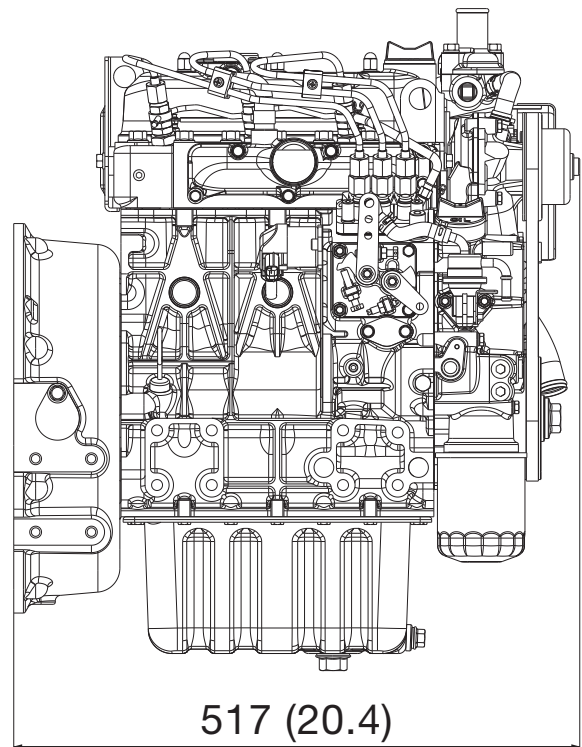
<b>Engine model</b>		D1105-E4-BG2
<b>Emission regulation</b>		EU Stage V
<b>Type</b>		Vertical, water cooled 4-cycle diesel engine
<b>Cylinders</b>		3
<b>Bore and Stroke</b>	mm (in)	78.0 × 78.4 (3.07 × 3.09)
<b>Displacement</b>	L (cu.in)	1.123 (68.53)
<b>Aspiration</b>		Naturally aspirated
<b>Aftertreatment</b>		—
<b>Net stand-by power</b> *1	kW (HP) / rpm	9.5 (12.7) / 1500
<b>Net continuous power</b> *1	kW (HP) / rpm	8.4 (11.3) / 1500
<b>Combustion system</b>		Indirect Injection
<b>Fuel system</b>		In-line pump
<b>Length x Width x Height</b> *2 (without aftertreatment unit)	mm (in)	517 × 392 × 605 (20.4 × 15.4 × 23.8)
<b>Dry weight</b> *2	kg (lb)	110 (243)

Specifications are subject to change without prior notice.  
Dimensions and dry weight are according to Kubota's standard specification.  
Dimensions and weight depend on completed specifications.

\*1: SAE J1349

\*2: Exclude cooling fan

## Dimensions



## Kubota Corporation

2-47, Shikitsu Higashi 1-chome Naniwa-ku, Osaka, 556-8601 Japan

<https://engine.kubota.com/en/>

ASP-D1105-E4-BG22110-N0-STD-208098