

INDUSTRIAL DIESEL ENGINE

Kubota 05 Series (3-Cylinder)

D1305-E3B



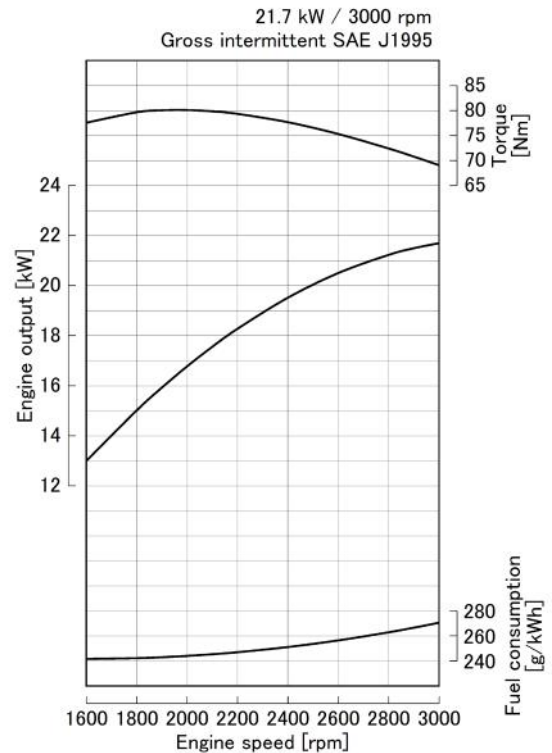
Rated Power

21.7 kW @ 3000 rpm



Photograph may show non-standard equipment.

Performance Curves



Features and Benefits

Emissions

The D1305 engine complies with the EPA / CARB interim Tier 4 + EU Stage IIIA emissions regulations.

Durable Power

The Kubota 05 Series is an established leader in its horsepower range, selected as the power source of choice by various industrial equipment manufacturers. The D1305 engine is a high power density engine that delivers the highest output within the Kubota 05 Series with a naturally aspirated 3-cylinder configuration.

By expanding the stroke, Kubota has increased engine displacement by 12% compared to the D1105 while maintaining the same footprint. The use of a shallow, large-capacity oil pan keeps the engine height low, providing a compact engine package.

The cooling water passages between the cylinder bores features Kubota's original casting technology as a countermeasure against the heat load caused by high power density, providing both superior endurance and reliable engine performance.

Clean and Quiet Power

Kubota's original E-TVCS (Three Vortex Combustion System) has been improved. The airflow, combustion chamber, and piston recess have been optimized to provide low particulate matter (PM) levels, matching the stringent level of the 37 kW class and higher (EPA Interim Tier 4 Option 1). The half-float valve cover and MoS₂-coated pistons reduce noise levels and decrease vibrations transmitted from the valve area.

Options

A variety of engine accessory options for the existing Kubota 05 Series are also available for this engine.

D1305-E3B

Engine Specifications

Engine model		D1305-E3B
Emission regulation		EPA/CARB interim Tier 4 level + EU Stage IIIA
Type		Vertical, water cooled 4-cycle diesel engine
Cylinders		3
Bore and stroke	mm (in)	78.0 x 88.0 (3.07 x 3.46)
Displacement	L (cu.in)	1.261 (76.95)
Aspiration		Naturally aspirated
Aftertreatment		-
Rated output / speed *1	kW (HP) / rpm	21.7 (29.1) / 3000
Maximum torque / speed *1	Nm (lb-ft) / rpm	80.1 (59.1) / 2000
Combustion system		Indirect injection
Fuel system		In-line pump
Length x Width x Height *2 (without aftertreatment unit)	mm (in)	480 x 396 x 590 (18.9 x 15.6 x 23.2)
Length x Width x Height *3 (with aftertreatment unit)	mm (in)	-
Dry weight *3	kg (lbs)	95 (209)

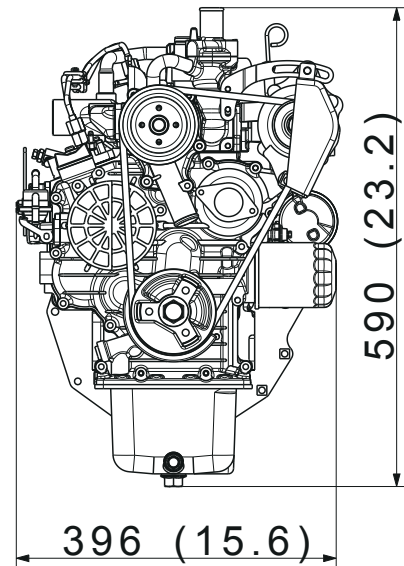
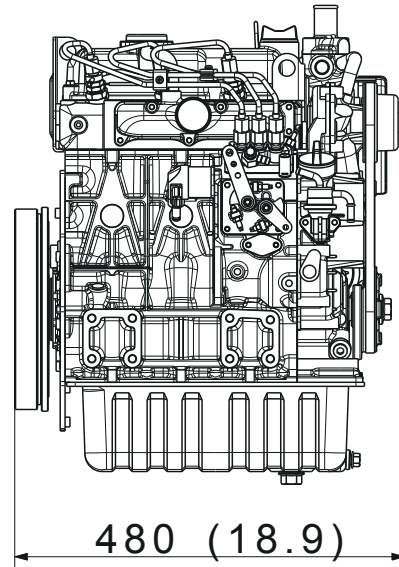
Specifications are subject to change without notice.
Dimensions and dry weight are according to Kubota's standard specification.
Dimensions and weight depend on completed specifications.

*1: SAE J1995 gross intermittent

*2: Exclude cooling fan and exclude aftertreatment unit

*3: Exclude cooling fan and include aftertreatment unit on engine

Dimensions



Kubota Corporation

2-47, Shikitsuhigashi 1-chome Naniwa-ku, Osaka, 556-8601 Japan

<https://engine.kubota.com/en/>

ASP-D1305-E3B1808-R1-I