

INDUSTRIAL DIESEL ENGINE

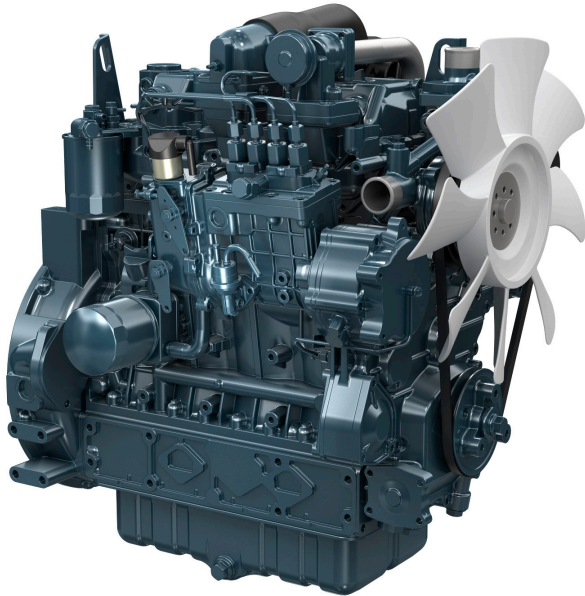
Kubota V3 Series (4-Cylinder)

V3800DI-T-E3B



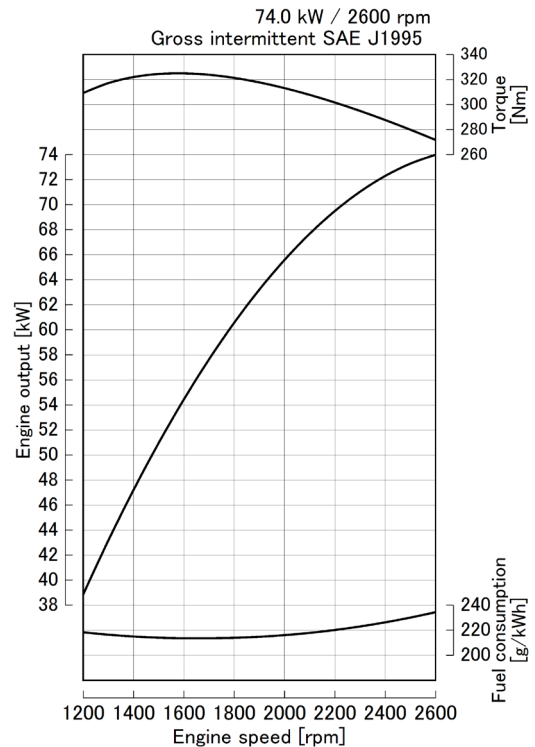
Rated Power

74.0 kW @ 2600 rpm



Photograph may show non-standard equipment.

Performance Curves



Features and Benefits

Emissions

The Kubota V3800 direct injection turbocharged engine complies with the EPA / CARB Tier 3 + EU Stage IIIA emissions. These engines meet emissions regulations with minimal additional required devices. For example, NOx is reduced by mechanical means alone, including the use of a cooled exhaust gas recirculation (EGR) system.

Durable Power

Within Kubota's industrial diesel engine lineup, the V3800DI-T engine has high output of the 75 kW range and below among Kubota's engine line-up. This engine requires no electronic control devices in order to comply with the stringent emission regulations.

Clean and Quiet Power

Kubota's original E-CDIS (Center Direct Injection System) combustion system, renowned for clean combustion, has been updated. Fuel injection pressure has been increased. The half-float valve cover and MoS2-coated pistons reduce noise levels and decrease vibrations transmitted from the valve area, providing enhanced noise reduction.

V3800DI-T-E3B

Engine Specifications

Engine model		V3800DI-T-E3B
Emission regulation		EPA/CARB Tier 3 level + EU Stage IIIA level
Type		Vertical, water cooled 4-cycle diesel engine
Cylinders		4
Bore and stroke	mm (in)	100.0 x 120.0 (3.937 x 4.724)
Displacement	L (cu.in)	3.769 (230.0)
Aspiration		Turbocharged
Aftertreatment		-
Rated output / speed *1	kW (HP) / rpm	74.0 (99.2) / 2600
Maximum torque / speed *1	Nm (lb-ft) / rpm	325.0 (239.7) / 1600
Combustion system		Direct injection
Fuel system		In-line pump
Length x Width x Height *2 (without aftertreatment unit)	mm (in)	699 x 544 x 793 (27.5 x 21.4 x 31.2)
Length x Width x Height *3 (with aftertreatment unit)	mm (in)	-
Dry weight *3	kg (lbs)	275 (606)

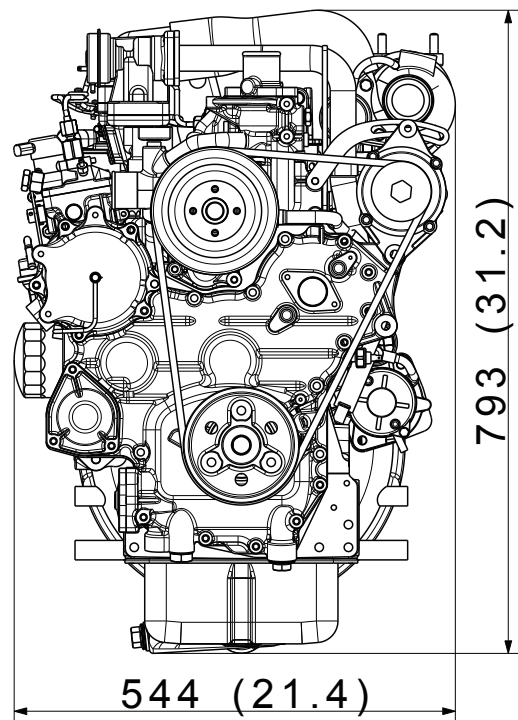
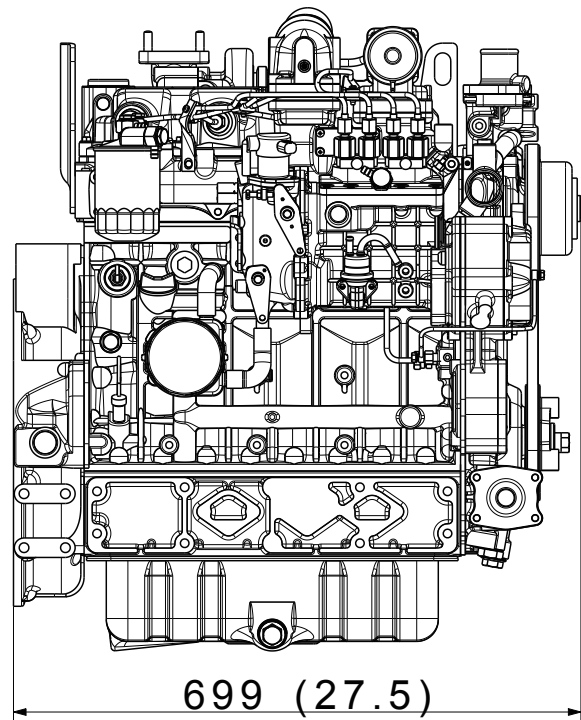
Specifications are subject to change without notice.
Dimensions and dry weight are according to Kubota's standard specification.
Dimensions and weight depend on completed specifications.

*1: SAE J1995 gross intermittent

*2: Exclude cooling fan and exclude aftertreatment unit

*3: Exclude cooling fan and include aftertreatment unit on engine

Dimensions



Kubota Corporation

2-47, Shikitsu Higashi 1-chome Naniwa-ku, Osaka, 556-8601 Japan

<https://engine.kubota.com/en/>

ASP-V3800DI-T-E3B1808-R1-I