

INDUSTRIAL DIESEL ENGINE

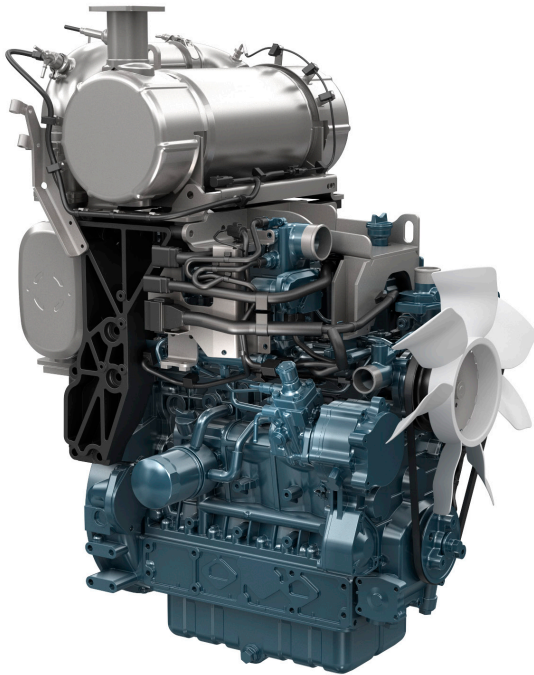
Kubota V3 Series (4-Cylinder)

V3800-TIEF4



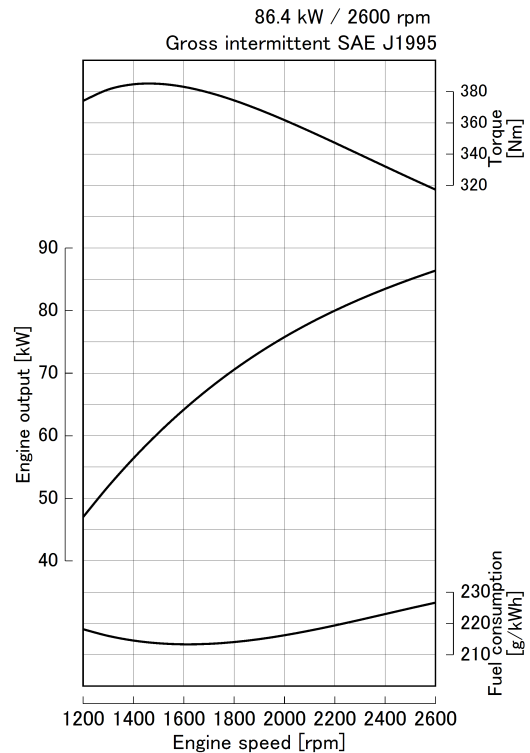
Rated Power

86.4 kW @ 2600 rpm



Photograph may show non-standard equipment.

Performance Curves



Features and Benefits

Proven Reliability and Technology

The latest technology and strong performance—two things customers expect from Kubota engines. We continue to provide both through the pursuit of excellence in emissions compliance and progress toward fully electronic controlled engines. These key areas allow Kubota to offer flexibility in the products and services we provide to customers worldwide.

Emissions Compliance

Kubota V3 Series engines comply with EPA / CARB Tier 4 Final + EU Stage IV. NO_x (nitrogen oxide) reduction of about 90% on prior regulations is required. A Selective Catalytic Reduction (SCR) system is employed to reduce NO_x. Along with the Diesel Particulate Filter (DPF) and Diesel Oxidation Catalyst (DOC), we have developed integrated emissions technology and systems to comply with the latest emissions regulations.

Clean and Quiet Power

A common rail system has made it possible to optimize combustion and create a more durable and quieter engine with higher fuel efficiency. Furthermore, by screening and controlling the exhaust gas with an aftertreatment unit, we are able to offer a clean and high-performance engine.

Flexibility

Flexibility is a must when working with customers in different countries who have different engine needs. Since Kubota V3 Series engines have evolved along every step in meeting the requirements of each EPA Tier, we are able to provide our customers worldwide with engines certified for the appropriate emissions regulations. In addition, we have designed aftertreatment units with minimum impact for easy installation.

Trust

Kubota V3 Series engines are the ideal solution for your company's global marketing strategy. We continuously strive to meet your needs with the experience and expertise that is your due.

For Earth, For Life
Kubota

V3800-TIEF4

Engine Specifications

Engine model		V3800-TIEF4
Emission regulation		EPA/CARB Tier 4
Type		Vertical, water cooled 4-cycle diesel engine
Cylinders		4
Bore and stroke	mm (in)	100.0 x 120.0 (3.937 x 4.724)
Displacement	L (cu.in)	3.769 (230.0)
Aspiration		Turbocharged + Turbo After Cooler
Aftertreatment		DOC + DPF + SCR
Rated output / speed *1	kW (HP) / rpm	86.4 (115.9) / 2600
Maximum torque / speed *1	Nm (lb-ft) / rpm	385.0 (284.0) / 1500
Combustion system		Direct injection
Fuel system		Common rail system
Length x Width x Height *2 (without aftertreatment unit)	mm (in)	699 x 617 x 837 (27.5 x 24.3 x 33.0)
Length x Width x Height *3 (with aftertreatment unit)	mm (in)	845 x 653 x 1191 (33.3 x 25.7 x 46.89)
Dry weight *3	kg (lbs)	400 (882)

Specifications are subject to change without notice.

DOC: Diesel Oxidation Catalyst

DPF: Diesel Particulate Filter

SCR: Selective Catalytic Reduction

Dimensions and dry weight are according to Kubota's standard specification.

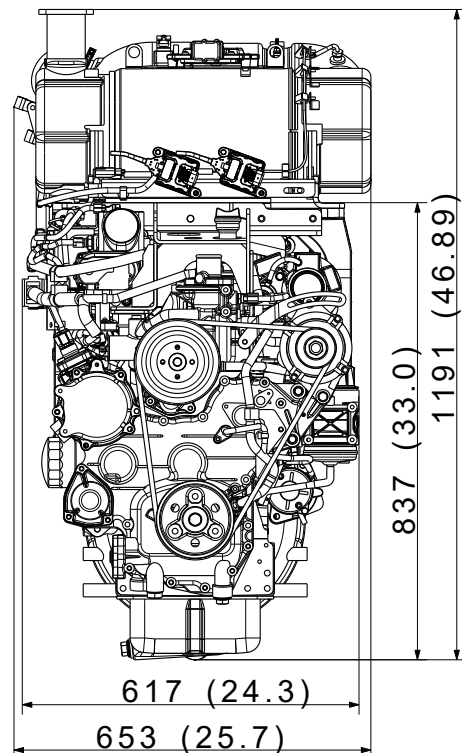
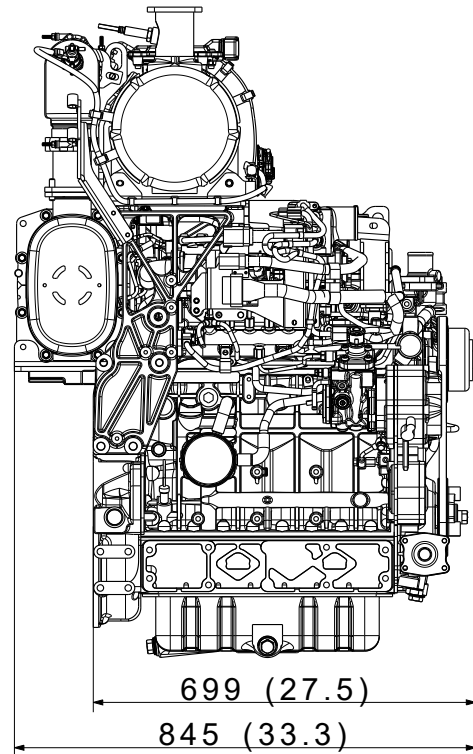
Dimensions and weight depend on completed specifications.

*1: SAE J1995 gross intermittent

*2: Exclude cooling fan and exclude aftertreatment unit

*3: Exclude cooling fan and include aftertreatment unit on engine

Dimensions



Kubota Corporation

2-47, Shikitsu Higashi 1-chome Naniwa-ku, Osaka, 556-8601 Japan

<https://engine.kubota.com/en/>

ASP-V3800-TIEF42207-N0-EPSPD-218155