

## INDUSTRIAL DIESEL ENGINE

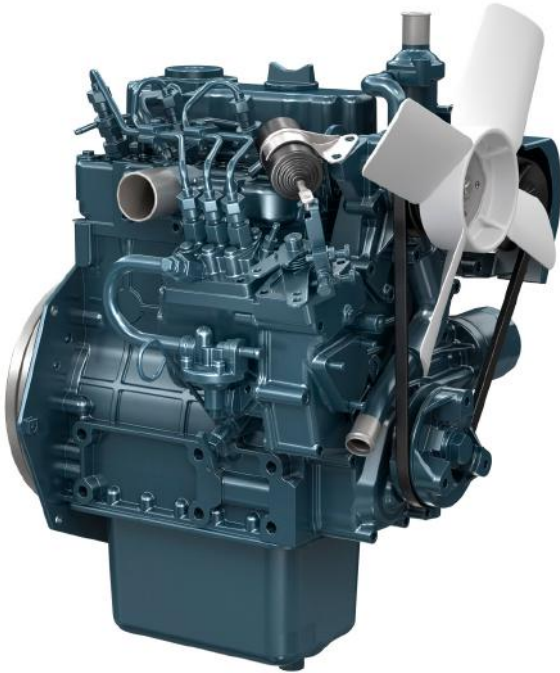
### Kubota Super Mini Series (3-Cylinder)

# D722-E3B

EPA/CARB  
TIER  
4

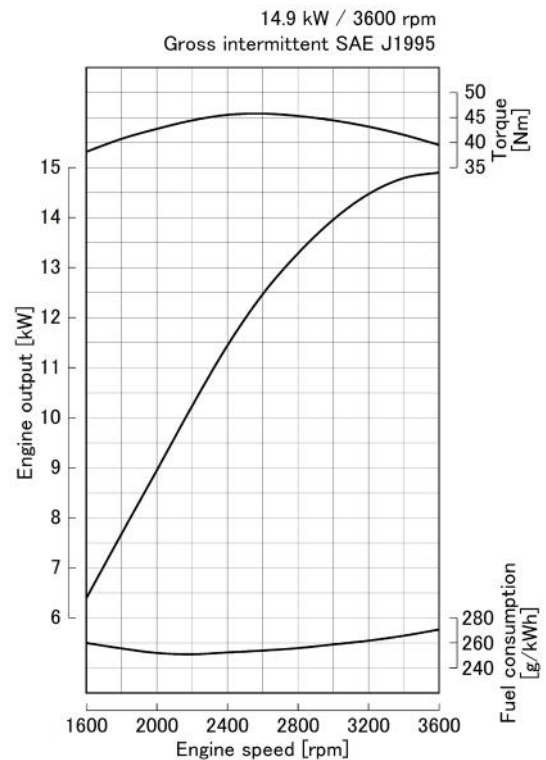
#### Rated Power

## 14.9 kW @ 3600 rpm



Photograph may show non-standard equipment.

#### Performance Curves



#### Features and Benefits

##### Emissions

The Kubota Super Mini Series features compact multi-cylinder liquid cooled industrial diesel engines which comply with EPA / CARB Tier 4 emissions level.

##### Durable Power

The Kubota Super Mini Series has been chosen as a power source for a variety of applications. The D722 engine offers a seamless transition from EPA Tier 2 to EPA Tier 4 by maintaining the same level of performance and physical characteristics. Alternative fuel engines WG752-G (gasoline) and WG752-GL (dual fuel: gasoline / LPG) are available with the same footprint as the D722 engine.

##### Clean and Quiet Power

Kubota's original E-TVCS (Three Vortex Combustion System) has been improved. The piston recess has been optimized to achieve lower particulate matter (PM) levels at an extremely small size. The half-float valve cover and MoS<sub>2</sub>-coated pistons reduce noise levels and decrease vibrations transmitted from the valve area.

# D722-E3B

## Engine Specifications

<b>Engine model</b>		D722-E3B
<b>Emission regulation</b>		EPA/CARB Tier 4 level
<b>Type</b>		Vertical, water cooled 4-cycle diesel engine
<b>Cylinders</b>		3
<b>Bore and stroke</b>	mm (in)	67.0 x 68.0 (2.64 x 2.68)
<b>Displacement</b>	L (cu.in)	0.719 (43.88)
<b>Aspiration</b>		Naturally aspirated
<b>Aftertreatment</b>		-
<b>Rated output / speed</b> *1	kW (HP) / rpm	14.9 (20.0) / 3600
<b>Maximum torque / speed</b> *1	Nm (lb-ft) / rpm	45.8 (33.8) / 2600
<b>Combustion system</b>		Indirect injection
<b>Fuel system</b>		In-line pump
<b>Length x Width x Height</b> *2 (without aftertreatment unit)	mm (in)	407 x 386 x 564 (16.0 x 15.2 x 22.2)
<b>Length x Width x Height</b> *3 (with aftertreatment unit)	mm (in)	-
<b>Dry weight</b> *3	kg (lbs)	63 (139)

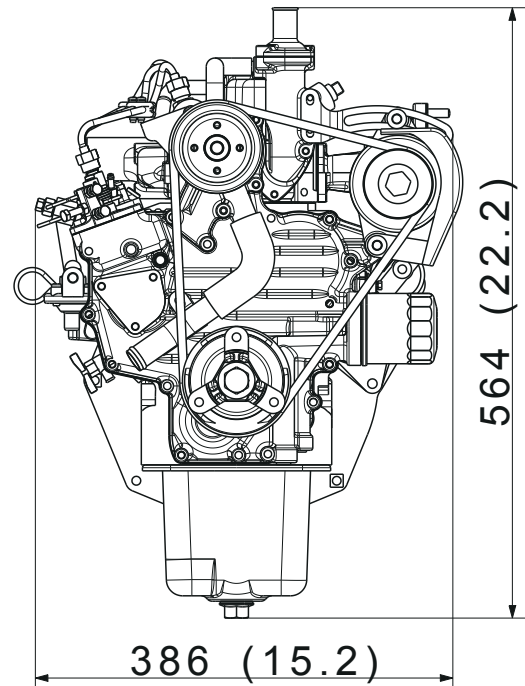
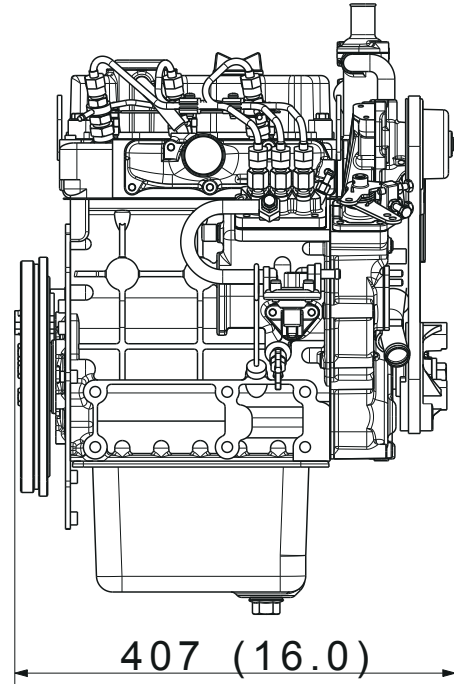
Specifications are subject to change without notice.  
Dimensions and dry weight are according to Kubota's standard specification.  
Dimensions and weight depend on completed specifications.

\*1: SAE J1995 gross intermittent

\*2: Exclude cooling fan and exclude aftertreatment unit

\*3: Exclude cooling fan and include aftertreatment unit on engine

## Dimensions



## Kubota Corporation

2-47, Shikitsuhigashi 1-chome Naniwa-ku, Osaka, 556-8601 Japan

<https://engine.kubota.com/en/>

ASP-D722-E3B1808-R1-I